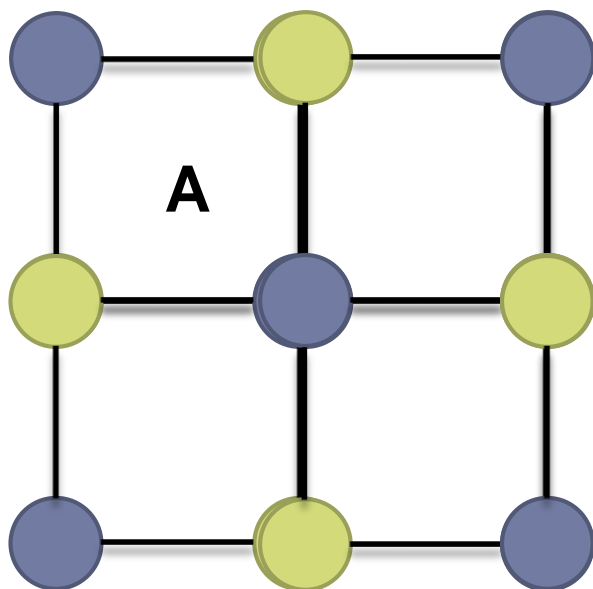
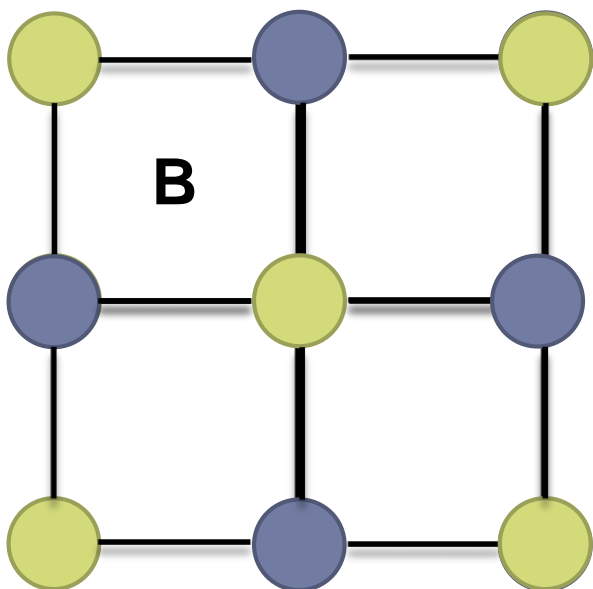


Build your crystal structure 1

Build a layer of a crystal like in picture A on your right. Put one colour sweet in the position of the blue circle. These are one type of ions. The other colour will go where the green circles are. They represent another type of ion. Link the sweets together with toothpicks as you see in the picture. They represent the bonds.



Make a second layer like picture B.

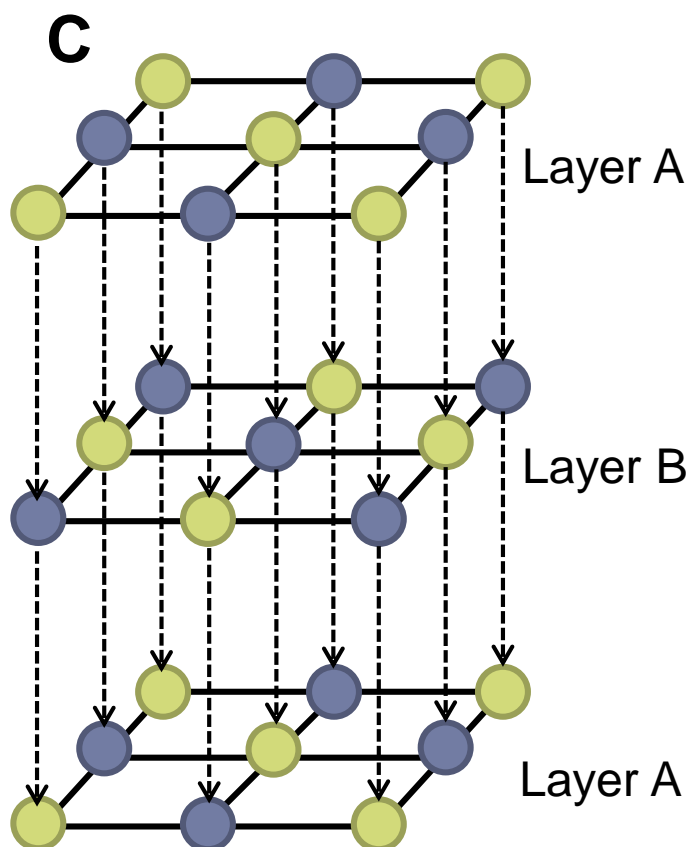


Make a third layer like picture A again.

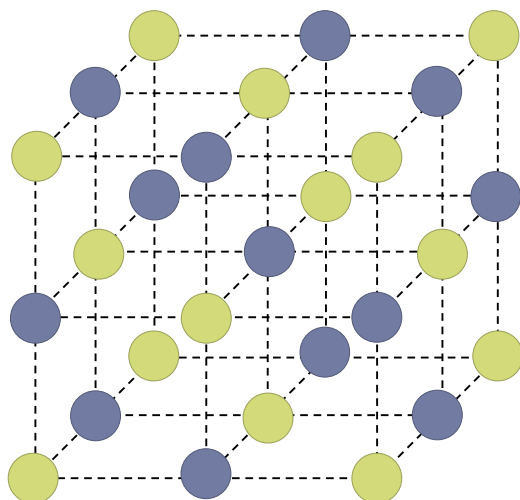


Build your crystal structure 2

Now connect your three layers as you can see in picture C. Make sure that the colours of your ions alternate as you can see in the picture.



When you are finished connecting the layers, your structure should look like this.



▶ Now compare your structure to the ones on the table. Can you find a matching structure?